

RECOMMENDED PCB LAYOUT
GENERAL TOLERANCE ±0.05

NOTES:

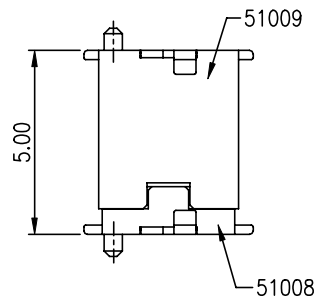
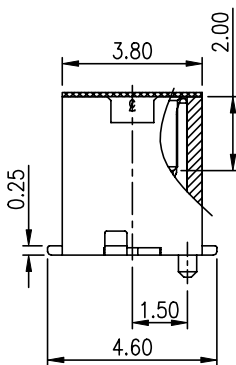
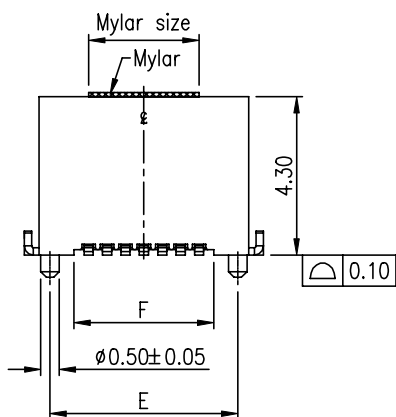
- MATERIAL:
 - HOUSING: THERMOPLASTIC, HIGH TEMP., UL94V-0; COLOR IS Natural OR BLACK.
 - CONTACT: COPPER ALLOY
- FINISH:
 - CONTACT: GOLD FLASH
50u"~100u" NICKEL UNDERPLATING OVERALL.
- IR REFLOW CAPABLE TO 260°C PER ACES SPEC.
- SPEC. PLS. REFER TO PS-50181-xxxx
- PACKAGE PLS. REFER TO 51007-xxxx-00-TRP OR 51007-xxxx-05-TRP
- PART NUMBER

51009-XXX X X-XXX

XXX	COLOR	Tape&Reel Packing P/N	POLARIZATION
001	NATURAL	51007-xxxx-00-TRP	WITH BOSS & WITH FITTING NAIL
002	NATURAL	51007-xxxx-05-TRP	WITHOUT BOSS & WITH FITTING NAIL
003	NATURAL	51007-xxxx-00-TRP	WITH BOSS & WITHOUT FITTING NAIL
004	NATURAL	51007-xxxx-05-TRP	WITHOUT BOSS & WITHOUT FITTING NAIL
005	NATURAL	51007-xxxx-10-TRP	WITH BOSS & WITH FITTING NAIL
006	BLACK	51007-xxxx-00-TRP	WITH BOSS & WITH FITTING NAIL

No Of Contact
Packing
0:Tape & Reel
4:Tape & Reel with Mylar

Plating
1:Gold Flash



CKT	DIM A	DIM B	DIM C	DIM D	DIM E	DIM F	DIM G	MYLAR SIZE
010	4.7	2.00	2.80	3.20	4.10	2.8	5.5	3.0
012	5.2	2.50	3.30	3.70	4.60	3.3	6.0	3.0
014	5.7	3.00	3.80	4.20	5.10	3.8	6.5	3.0
020	7.2	4.50	5.30	5.70	6.60	5.3	8.0	5.0
030	9.7	7.00	7.80	8.20	9.10	7.8	10.5	6.0
032	10.2	7.50	8.30	8.70	9.60	8.3	11.0	6.0
036	11.2	8.50	9.30	9.70	10.60	9.3	12.0	6.0
040	12.2	9.50	10.30	10.70	11.60	10.3	13.0	6.0
050	14.7	12.00	12.80	13.20	14.10	12.8	15.5	6.0
060	17.2	14.50	15.30	15.70	16.60	15.3	18.0	6.0
080	22.2	19.50	20.30	20.70	21.60	20.3	23.0	6.0

QUALITY SYMBOLS MAJOR Ⓢ CRITICAL Ⓢ GENERAL TOLERANCES (UNLESS SPECIFIED) X. ±0.5 .X ±0.25 .XX ±0.15 .XXX ±0.1 ANGLES ±2°	DRAWN BY Huang,ShunSen DATE 24/01/02	<p>0.5mm B-T-B CONNECTOR PLUG D/R S/T SMT TYPE</p>
	CHECKED BY Lu, Jing Quan DATE 24/01/02	
	APPROVED BY hsieh, fu yu DATE 24/01/02	
	UNITS mm SCALE 1:1	
	SHEET NO. 1 OF 1	RFG NO. NA DWG NO. 51009-XXXXX-XXX